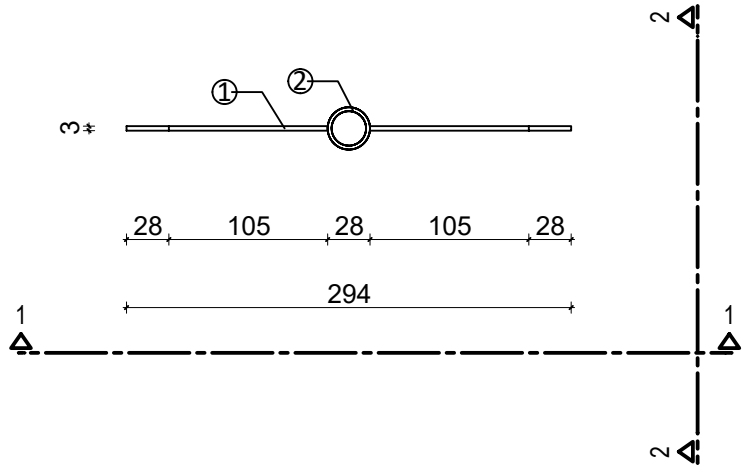
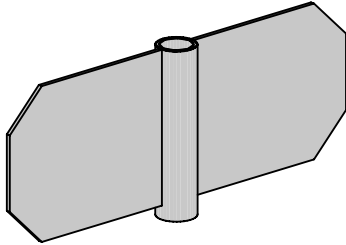
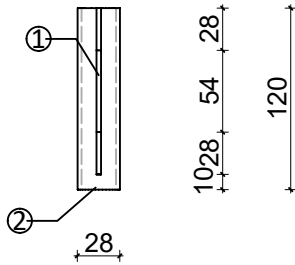


Top soil stiffener TW M12

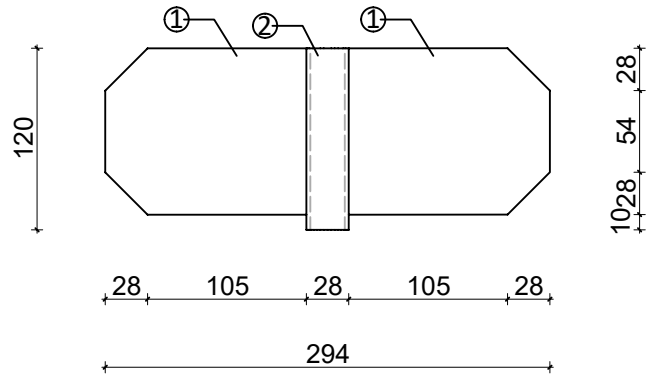
3D view



2 - 2



1 - 1



- ① Pl. 133x110x3
- ② CHS 28x2

L-bracket made of steel S355

Design company				
GROUNDPLUG®			CONFIDENTIAL	
Part:	prod. draw.	Number of drawing:	PPT 11	Finish HDG acc. to ISO EN 1461
Product/Title:	Top soil stiffener TW M12	Material/Steel grade:	S235	Date: 05.2022
Design:	Signature:	Sub-grade:	-	Scale: 1:5
Check:	Signature:	Tolerances acc.to:	PN-EN ISO 9013: 2008	
Draw:	Signature:		PN-EN ISO 13920: 2000 EXC2	
Format:	A4			