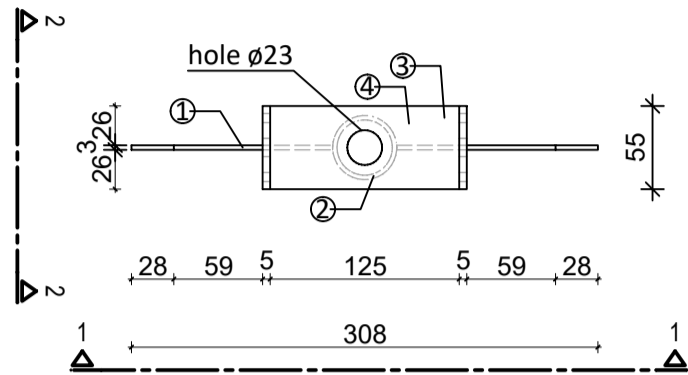
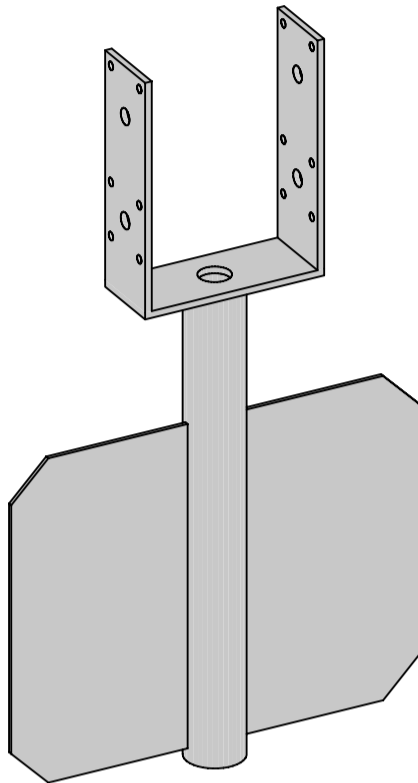
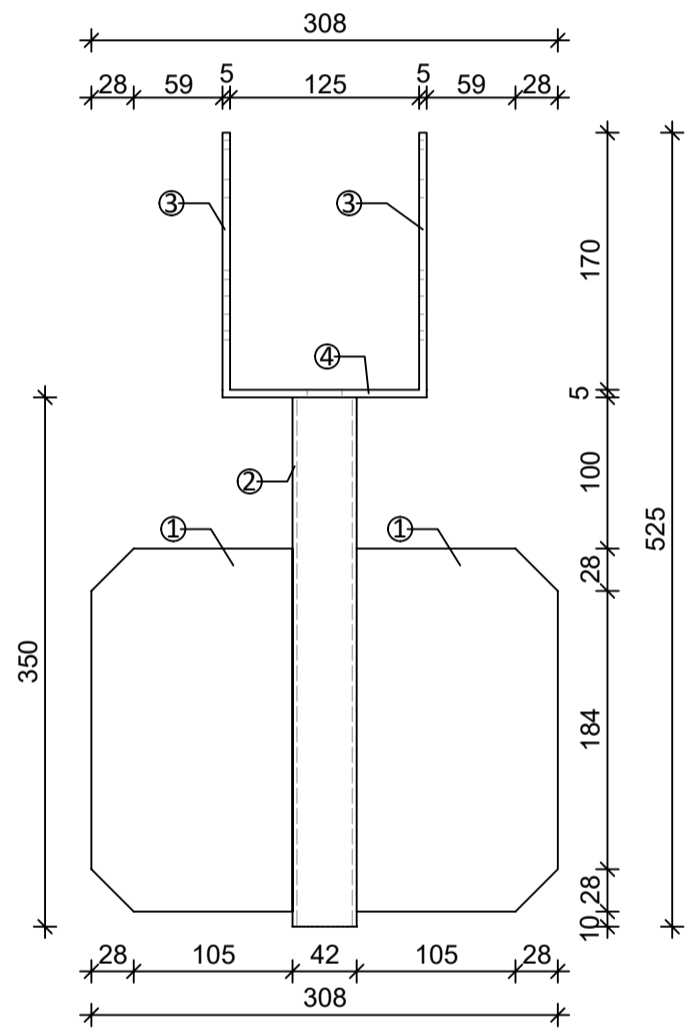


# Post bracket M20/125

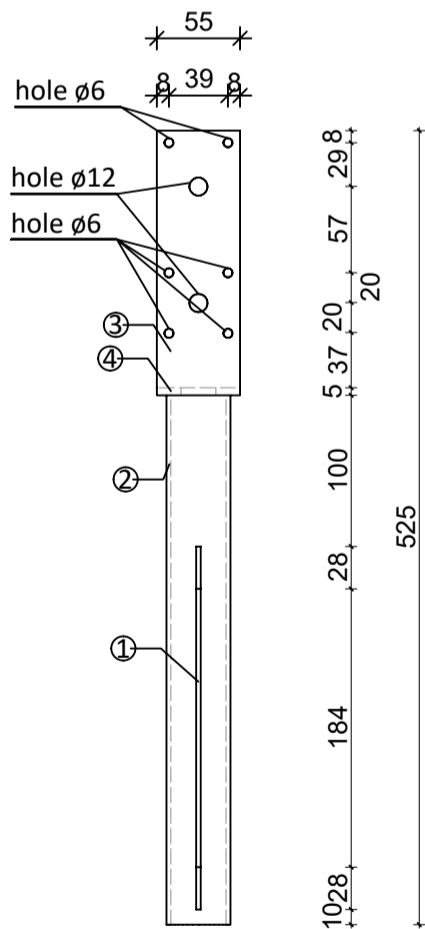
3D view



1 - 1



2 - 2



- ① Pl. 133x240x3
- ② CHS 42,4x2,9
- ③ Pl. 170x55x5
- ④ Pl. 135x55x5

Design company					
<b>GROUNDPLUG®</b> CONFIDENTAL					
Part:	prod. draw.	Number of drawing:	PPT 9	Date:	05.2022
Product/Title:	Post bracket M20/125	Material/Steel grade:	S235	Sub-grade:	-
Design:		Signature:		Tolerances acc.to:	PN-EN ISO 9013: 2008
Check:		Signature:			PN-EN ISO 13920: 2000
Draw:		Signature:			EXC2